

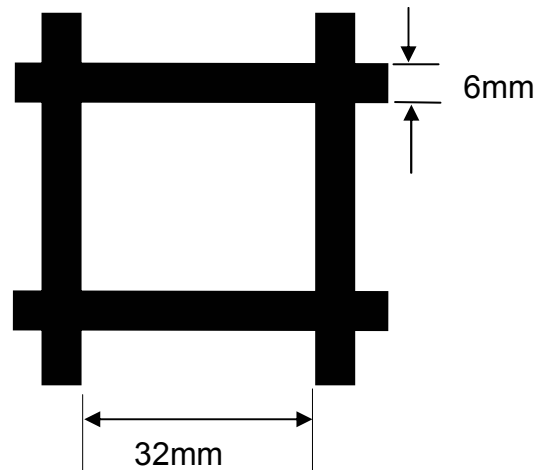
MECHANICAL AND PHYSICAL DATA OF MOULDED FIBREGLASS GRATING

Grating Depth	BAR THICKNESS		PER 300MM OF WIDTH				No. of Bars Per 300mm	Glass Content %	Weight Kg/m ²	Open Area %
	TOP	BTM	CM ²	CM ⁴	CM ³	EI KG/M ²				
38mm	6.60	5.00	17.74	21.81	11.31	275	8	30.5	18.0	69.0
25mm	6.60	5.50	12.39	6.71	5.24	119	8	32.0	12.0	69.0

WEIGHT

25 mm: 12 kilos per square metre

38 mm: 18 kilos per square metre



MECHANICAL DATA

Elastic Modulus	27 Gpa
Flexural Strength	2.8 Gpa
Tensile Strength	650 Mpa
Compressive Strength	90 Mpa
Dielectric Strength	18 KW/mm
Specific Gravity	1.5÷1.7
Thermal Expansion Factor	13 x 10 ⁻⁶ mm/mm C ^o
Water Absorption	0.1% + 0.3% x 24 hours (ISO R62)
Operating Temperature	-100c to +180c

MANUFACTURING TOLERANCES

Standard Panel Size	+ 3 mm	-0 mm
Cut Panel Size	+ 5 mm	- 5 mm
Thickness	+ 1.5 mm	- 1mm
Mesh Pattern	+ 1mm	- 1mm